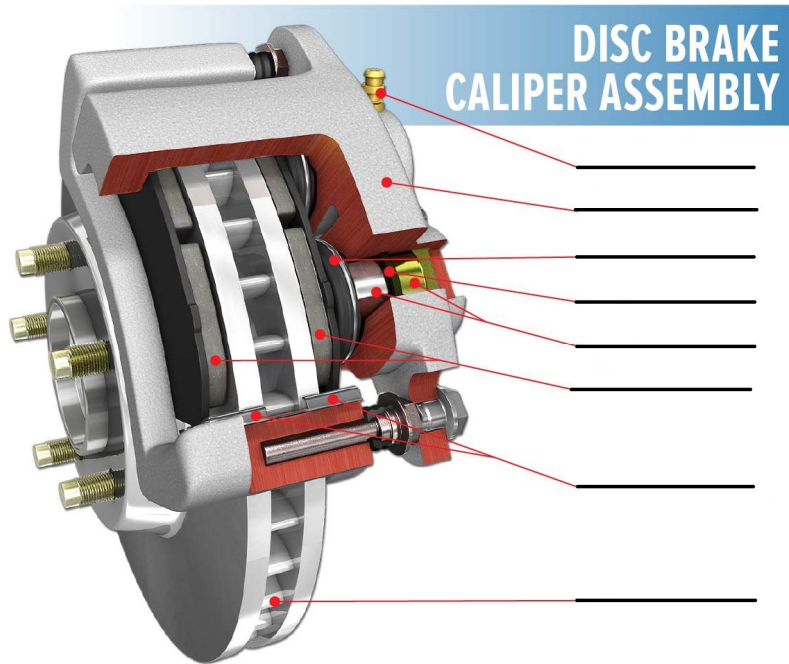


Braking Systems

Name: _____

Date: _____

1. Braking force is not equal between the front and rear. 80% of the braking force is applied to which side of the car?
 - a. Front
 - b. Rear
2. Label the parts of the diagram below:



3. Explain how an emergency parking brake works

4. What does ABS stand for?

5. What is the purpose of the ABS system?

6. Below is a list of common braking system problems and symptoms. Beside each symptom, describe any possible causes for that problem. Bonus marks if you can explain the solution to the problem.

Brake squeal -

Brake pedal pulsing or steering wheel vibration -

Spongy or low brake pedal -

Braking pulls the car to one side -

Brakes dragging -

7. When checking the brake fluid reservoir the fluid should be between the MIN and MAX line and be the colour of what food?
